

BAR KEEP™ (49348-11)

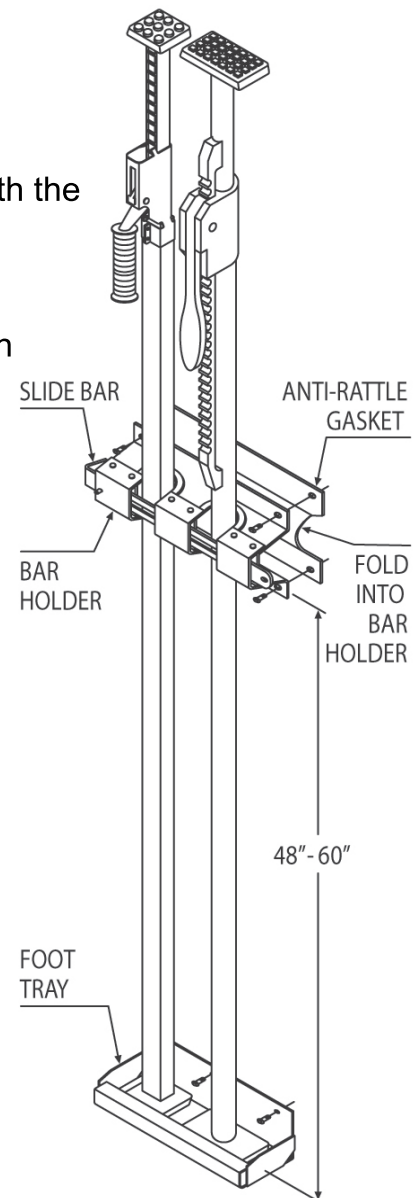
Keep your load-bars safe, secure and ready for action.

Easy to Install...

1. Determine the best location for your Bar Keep Cargo Bar Holder on the rear of your cab - ideally a clear area 12" wide by 91" high.
2. Position the Bar Keep Foot Tray (Figure 1) at the bottom of the area and mark the location of the mounting holes.
3. Drill holes and attach the Foot Tray with 1/4" fasteners (not included).
4. Position the Bar Keep Holder (Figure 2) 48"-60" above the base of the foot tray.
5. Drill holes and install the Bar Keep Holder, remembering to install the anti-rattle gasket behind the Holder using 1/4" fasteners (not included). Place the fasteners through the holes in the Bar Keep Holder bracket and the anti-rattle gasket. The gasket folds over and covers the edges of the Holder to create an anti-rattle fit as well as cushioning for your load bars.

Even Easier to Use...

1. Depress the push button and open the slide bar.
2. Position your cargo bars in the Bar Keep Cargo Bar Holder with the handles at the top.
3. Place the cargo bars in the Bar Keep Foot Tray.
4. Push the cargo bar into the slots in the Bar Keep Holder.
5. Slide the locking bar completely across and make sure to push the button until it clicks into the latch hole.
6. A padlock can be used to secure the slider.



WARNING: If slide bar is not properly closed and secured the slide may open allowing the cargo bars to fall out.

