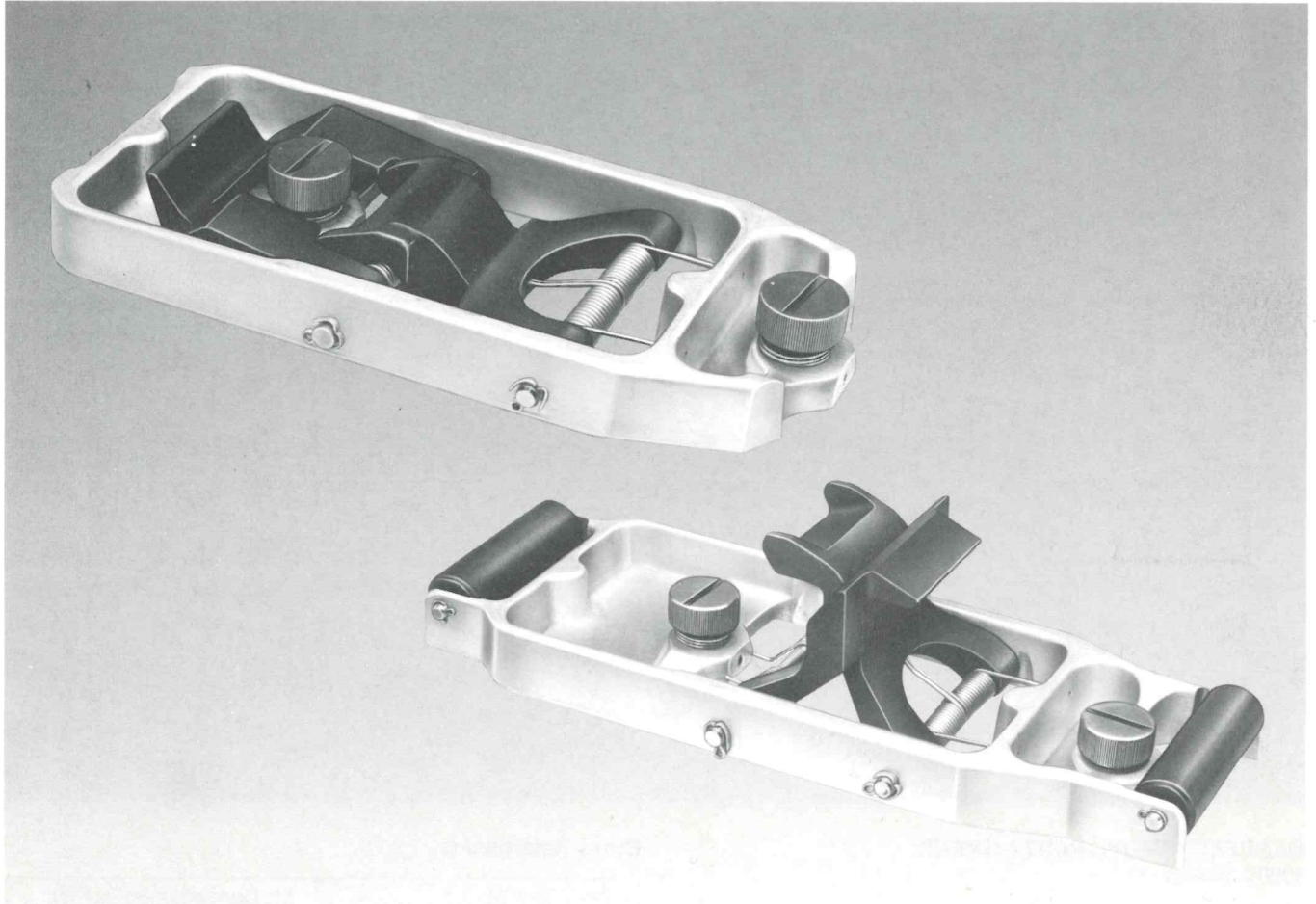




ANCRA
CORPORATION
cargo system components

PALLET LOCK

DC8, DC9, 727, 737
80004 SERIES



ANCRA P/N	McDonnell Douglas P/N
80004-10	3889344-1, -503
-11	3889344-501, -505, -507

PALLET LOCK is secured into restraint track with tension studs and spring-loaded or screw down shear studs. Lock mechanism/pawls snap up into locked position or fold down flat for loading/unloading. -10 has roller with maximum life expectancy on each end. -11 does not have rollers and is primarily used in ball mat area.