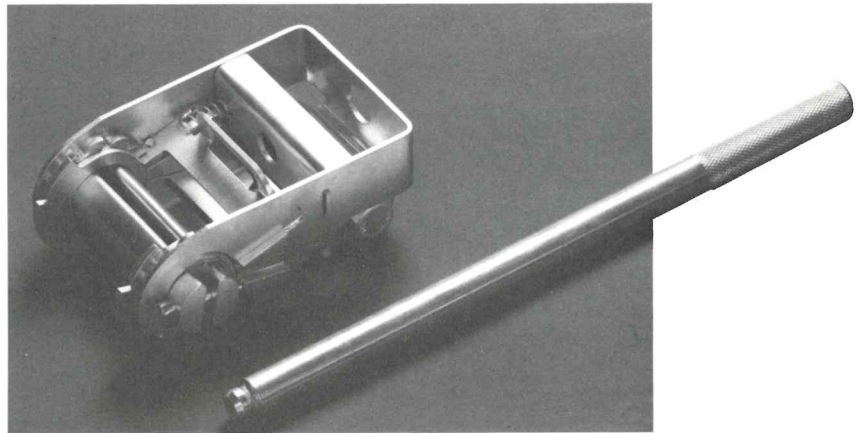


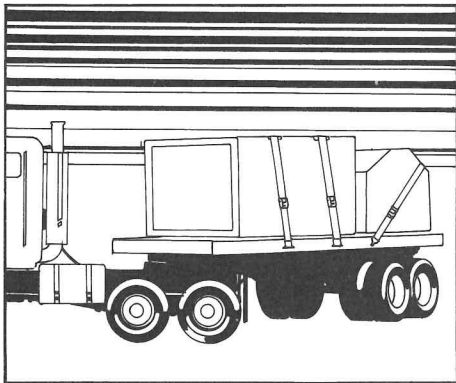
3 Inch Ratchet Buckle Tiedowns

*With Detachable or
Permanent Lever*

*Load Capacity: 22,000 lb.
Pretension Capacity: 2000 lb.
(With Lever)*



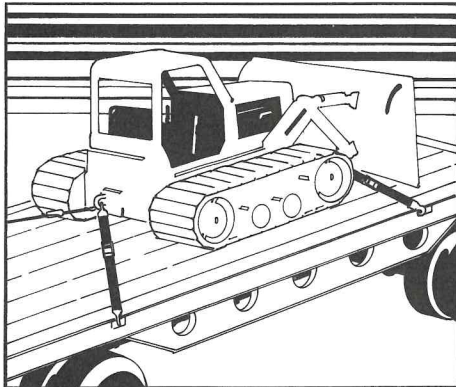
Applications:



Truck, Railroad, RO/RO Ships

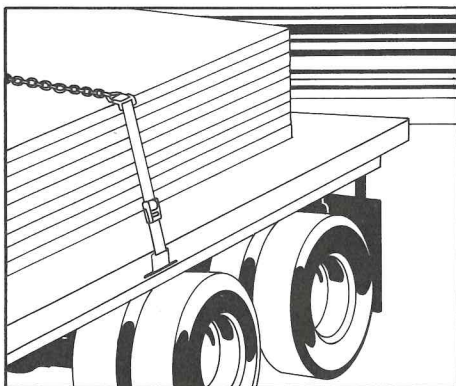
- Safer and more functional than 2" R/B straps.
 - Increased preload
 - Less elongation
 - Higher working load
- Replacement for portable winches.
- Can be used for angular applications required by odd shaped loads.

SEE STRAPS — FLATBED



- Shorter straps with appropriate end hardware can be used as a direct replacement for chain and chain binders for restraining heavy equipment to flatbed trucks, flat cars and RO/RO ships.
- These straps are safer to use than chain binders and allow more precise pretensioning. The inherent shock absorbing feature allows for heavier dynamic loads in comparison to chain binders of equal strength.

SEE STRAPS — HEAVY EQUIPMENT



- With the proper selection of end hardware, these straps can be used in combination with chain to restrain such cargo as flat sheet metal and metal coils.

SEE STRAPS — CHAIN BINDER