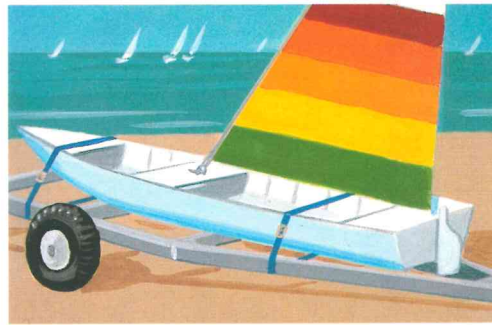
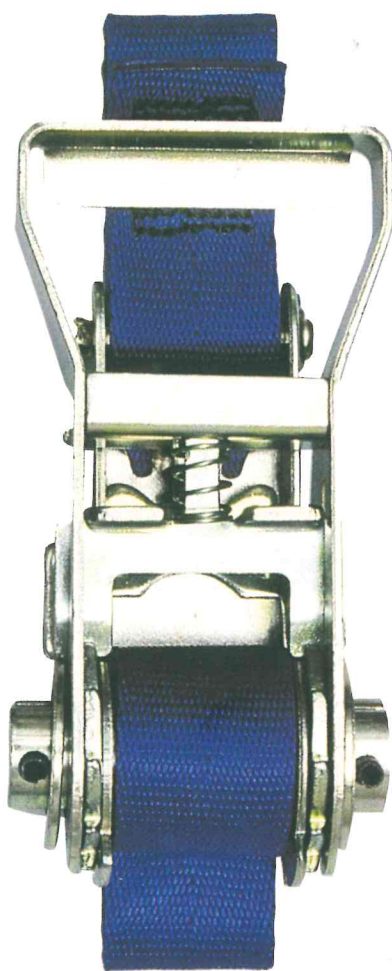
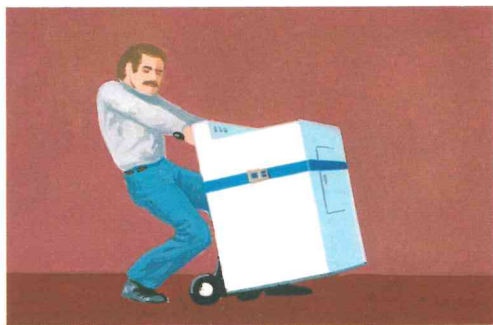


**NEW  
FROM ANCRA**

# **ANCRA-LASH®**

## **The tough multi-purpose ratchet-buckle tiedown that holds down everything...**



# **EXCEPT YOUR PROFITS**

Give Ancra-Lash a little room . . . and watch it sell itself! All of your customers can use at least one Ancra-Lash. It's the 15-ft. tiedown strap of many uses, complete with easy to follow instructions. It'll keep things together . . . lash things down . . . secure things in place . . . you name it, and Ancra-Lash will do it.

Best of all, it's Ancra quality throughout.

- Ancra-Lash features a 2000-lb. loop load capacity. They don't come any stronger in Ancra-Lash's price range.
- Patented Mini-Ratchet II buckle uses ratchet action to grab hold, pull tight and hold firm.

- Unique safety lock prevents sprocket latch release no matter how severe the vibration becomes.

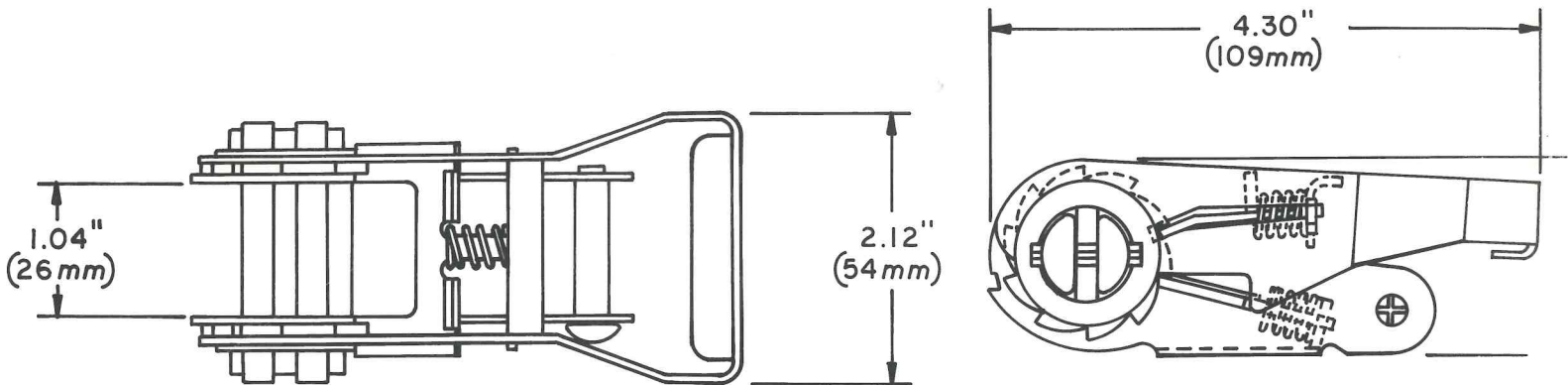
THE ALL NEW ANCRA-LASH

See it. Stock it. Display it. Your customers will take it from there . . . and you'll be taking Ancra-Lash profits to the bank.

Part No. 44557-11



# HERE'S WHAT MAKES ANCRA-LASH® THE BEST TIEDOWN VALUE IN ITS PRICE CLASS



The patented Ancra Mini-Ratchet II buckle. It's precision engineered to grab hold, pull tight and lock firm.

Distributed by:



**ANCRA CORPORATION**  
2233 EAST GRAND AVENUE  
EL SEGUNDO, CALIFORNIA 90245  
TELEPHONE (213) 322-7365  
TWX (910) 348-7118

**ANCRA INTERNATIONAL**  
2233 EAST GRAND AVENUE  
EL SEGUNDO, CALIFORNIA 90245  
TELEPHONE (213) 322-7365  
TWX (910) 348-7118

**ANCRA INTERNATIONAL, B.V.**  
VAN DER VOORTWEG 3  
5282 RA BOXTEL HOLLAND  
TELEPHONE (0) 411678675  
TELEX (844) 50264

**ANCRA INTERNATIONAL S.A.R.L.**  
CENTRE INDUSTRIEL LOCATIF RHONE ALPES  
9, RUE DE COPENHAGUE  
38290 — ST. QUENTIN FALLAVIER  
TELEPHONE (7) 494.47.77  
TELEX 310161 CEDIS

**ERIK JUNGFAK & CO. GMBH**  
D-7707 ENGEN 1  
RICHARD-STOCKER-STR. 19  
WEST GERMANY  
TELEPHONE (07733) 8075/8076  
TELEX (841) 079-3876

**ANCRA INTERNATIONAL LTD.**  
NELSON STREET  
LEEK, STAFFORDSHIRE, ENGLAND  
TELEPHONE (0538) 384108  
TELEX (851) 36133

**ANCRA CANADA LTD.**  
335 NUGGET AVENUE  
UNIT NO. 4  
SCARBOROUGH, ONTARIO M1S 4J3  
CANADA  
TELEPHONE (416) 299-3200

**ANCRA EAST**  
248 BRANFORD ROAD  
NORTH BRANFORD, CONN. 06471  
TELEPHONE (203) 488-0602

**ANCRA MIDWEST**  
1115 WEST NATIONAL AVENUE  
ADDISON, ILLINOIS 60101  
TELEPHONE (312) 628-1200

**ANCRA NORTH**  
4420 RUSSELL ROAD  
LYNNWOOD, WASHINGTON 98036  
TELEPHONE (206) 353-7211

**ANCRA SOUTH**  
1559 TAYLOR AVENUE  
EAST POINT, GEORGIA 30344  
TELEPHONE (404) 768-2554

**ANCRA SOUTHWEST**  
367 EXCHANGE DRIVE  
ARLINGTON, TEXAS 76011  
TELEPHONE (817) 469-1011