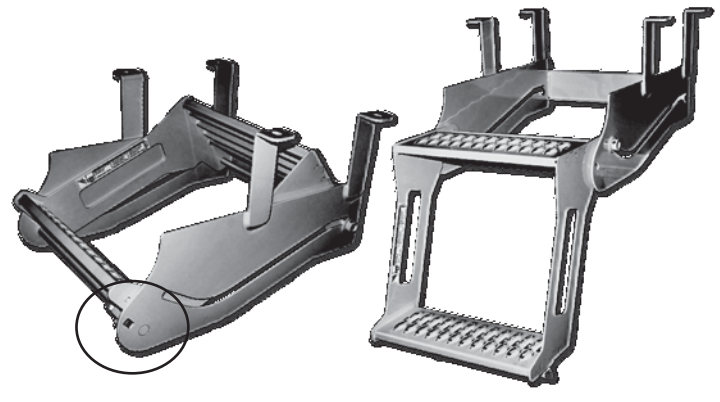




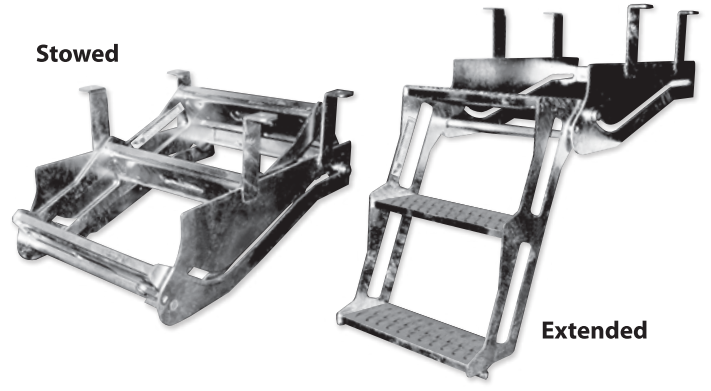
# INTRODUCING ANCRA'S NEW TRAILER ACCESS STEPS

Designed to be used on van trailers and straight truck applications with a 48" deck height. The steps move smoothly in their frame from the stored position to the extended position.

2-Step Galvanized



3-Step Galvanized



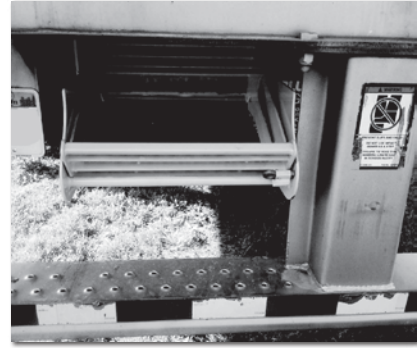
Self latching feature adds extra security when stowed

## FEATURES

P/N: 50456 Series

- Available in a 2 or 3 Step Galvanized
- Weight Limit: 350 lbs.
- Easily bolt or weld the access step to cross members under the trailer floor
- Ancra Installation Kit available for mounting (sold separately).  
50456-Kit includes two 1/4" x 3" wide steel bars with mounting holes for the steps and 4 sets of cross member clamps with 1/2" grade 8 bolts and lock nuts with flat washers
- Installation Manual Included (50456INSTR)

Stowed on Truck



Extended on Truck



Use Ancra's driver assist straps in combination with these trailer access steps for added stability when entering and exiting the vehicle.  
(Part Numbers: 10902-11 and 10902-21)



Part Number	Weight	Unit UPC	Pkg Qty	Pkg Dimension	Pkg Weight	SCC-14 Pkg UPC
50456-2-GALV	46 lbs	92888420266	1/box	23x22x14.5	49 lbs	50092888420266
50456-3-GALV	54 lbs	92888420280	1/box	28.5x22x14.5	58 lbs	50092888420280
50456-KIT	15 lbs	92888420216	1/box	2 x 3 x 31	31 lbs	50092888420211

